

1 Products affected

Product hierarchy no. *			Part no.	SBU	Type / Description	Customer part no.
SBU PG	PGU	Type				
02 005	016	0000001303	See list below	Power Entry Module	DF11	

*SBU (2-digit) / PG (3-digit) / PGU (3-digit) / Type (10-digit)

List of part numbers affected				
DF11.0022.0010.01	DF11.1066.0012.01	DF11.2078.0010.01	DF11.3296.0010.01	DF11.3714.0013.019
DF11.0022.0012.01	DF11.1089.0010.01	DF11.2173.0012.01	DF11.3456.0013.019	DF11.3716.0012.01
DF11.0031.0010.01	DF11.1406.0010.01	DF11.2217.0010.01	DF11.3670.0010.01	DF11.3751.0010.01
DF11.0031.0012.01	DF11.1477.0010.01	DF11.2309.0010.01	DF11.3685.0010.01	DF11.3852.0012.01
DF11.0470.0010.01	DF11.1477.0013.01	DF11.2347.0012.01	DF11.3697.0010.01	DF11.3938.0010.019
DF11.0470.0013.019	DF11.1682.0010.01	DF11.2426.0010.01	DF11.3697.0010.019	DF11.3973.0012.019
DF11.0559.0010.01	DF11.1698.0010.01	DF11.2430.0012.01	DF11.3711.0013.01	DF11.3974.0012.019
DF11.0861.0013.01	DF11.1926.0010.01	DF11.3065.0010.01	DF11.3714.0010.019	DF11.4005.0010.01
DF11.0885.0010.01	DF11.1927.0013.01	DF11.3244.0010.01	DF11.3714.0013.01	DF11.4016.0010.01

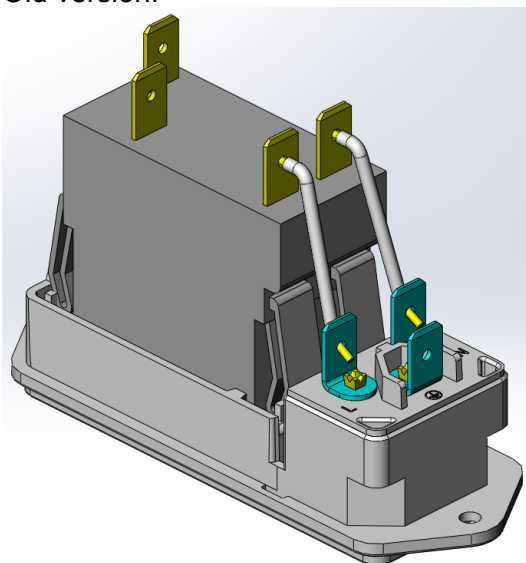
2 Type of change

New internal wiring.

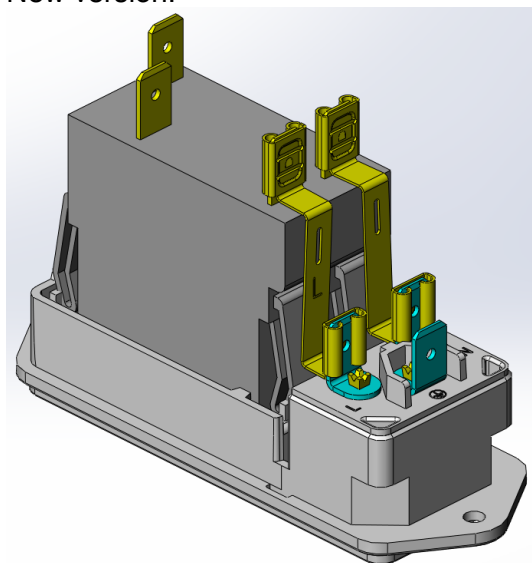
3 Detailed description of change

Soldered wire connection between connector and circuit breaker replaced by faston connection.

Old version:



New version:



4 Reason of change

Elimination of the critical soldering process on the quick connect terminal.

5 Release date

The change will come into effect on week 38/2015 (data code 1538 or higher on package label).

DF11					0118.2261	
creation date	created by	release date	released by	notification no.	revision	page
2015-01-19	huberth	2015-06-18	huberth	26979	a	1 of 2

6 Impact of change and recommended action

Form: Yes New connection on back side, no change of outer dimensions.
Fit: No
Function: No
Production Site: No
Product Label: No

7 Reference Documents / Attachments

Kind of document	Document number	Remarks
Data Sheet DF11	DF11	

DF11					0118.2261	
creation date	created by	release date	released by	notification no.	revision	page
2015-01-19	huberth	2015-06-18	huberth	26979	a	2 of 2