

**1 Products affected**

Product hierarchy no. *			Part no.	SBU	Type / Description	Customer part no.
SBU   PG	PGU	Type				
02   007	043	0000002295	4795.0000	Connectors	4795	
02   007	043	0000002295	4795.0100	Connectors	4795	

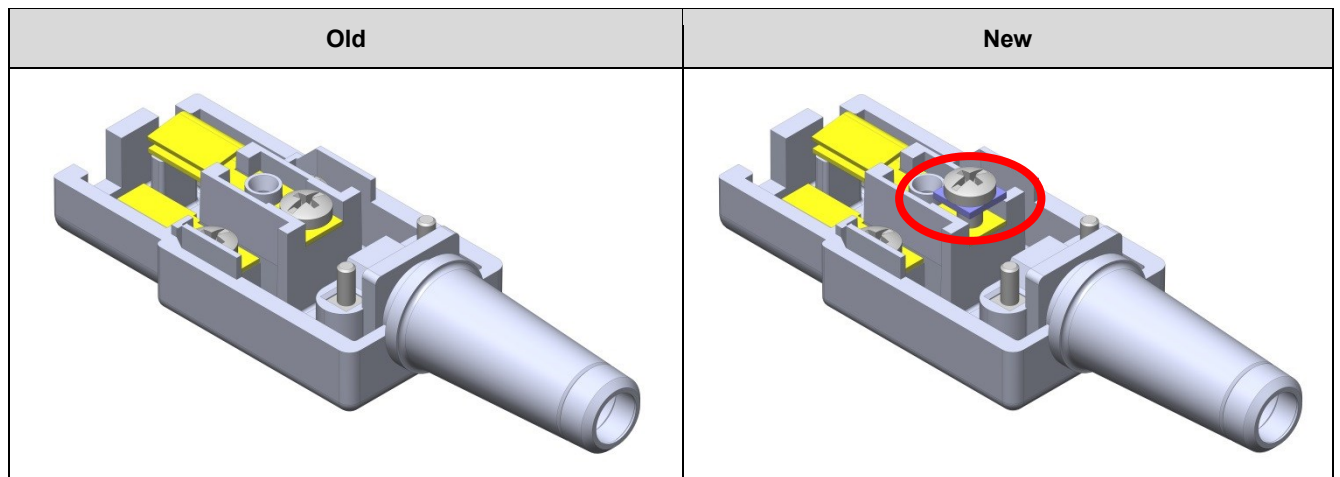
\*SBU (2-digit) / PG (3-digit) / PGU (3-digit) / Type (10-digit)

**2 Type of change**

Ground terminal assembled with a clamping plate.

**3 Detailed description of change**

The terminal screw "Ground" is pre-assembled with a clamping plate, which will retain all individual wires below the screw head (blue part in picture below).



**4 Reason of change**

An uncareful wire insertion could lead to unsatisfactory screw connection. The clamping plate makes the handling easier and the screw connection more safe.

**5 Release date**

The change will be rolled-out starting ww 02/2016 and lasts approx. 6 months depending on the variant.

<b>4795</b>					<b>0118.2305</b>	
creation date	created by	release date	released by	notification no.	revision	page
2015-09-02	bisanger	2015-09-30	bisanger	27929	-	1 of 2

**6 Impact of change and recommended action**

Form:	No	There are no form changes
Fit:	Yes	Screw terminal "Ground" assembled with a clamping plate
Function:	No	This is a non-functional change
Production Site:	No	There is no change of the production site
Product Label:	No	There is no change on the label

**7 Reference Documents / Attachments**

Kind of document	Document number	Remarks
<a href="#">Data sheet</a>		
<a href="#">Mounting Instruction</a>	0115.0048	

<b>4795</b>					<b>0118.2305</b>	
creation date	created by	release date	released by	notification no.	revision	page
2015-09-02	bisanger	2015-09-30	bisanger	27929	-	2 of 2