

IEC Appliance Inlet C8, Snap-in Mounting, Front Side, Solder, PCB or Quick-connect Terminal



See below:

**Approvals and Compliances**

**Description**

- Panel mount :  
 Snap-in version , Front Side
- Appliance Inlet , Pin temperature 70 °C , Protection class II
- Solder, Quick Connect or PCB Terminal

**Characteristics**

- Contact pins are turned from solid material

**References**

- Alternative: version for screw mounting [2576](#)
- Alternative: version with line filter [5008](#)
- Alternative: Inlet with retainer and country specific cord set [2578 retaining kit](#)

**Weblinks**

[pdf data sheet](#), [html datasheet](#), [General Product Information](#), [Distributor-Stock-Check](#), [Accessories](#), [Detailed request for product](#)

**Technical Data**

|                                 |  |
|---------------------------------|--|
| Ratings IEC                     | 2.5 A / 250 VAC; 50 Hz   |
| Ratings UL/CSA                  | 2.5 A / 250 VAC; 60 Hz   |
|                                 | 7 A / 125 VAC; 60 Hz   |
| Dielectric Strength             | > 3 kVAC between L-N<br>> 1.5 kVAC between L/N-PE<br>(1 min/50Hz)  |
| Allowable Operation Temperature | -25 °C to 70 °C  |
| IP-Protection                   | from front side IP20 acc. to IEC 60529                             |
| Insulation cover                | Suitable for appliances with protection class II acc. to IEC 61140 |
| Panel Thickness S               | Snap-in version<br>1.5/2/2.5/3 mm                                  |
| Material: Housing               | PA6, black / grey / white, UL 94V-0                                |

|                         |  |
|-------------------------|--|
| appliance inlet/-outlet | C8 acc. to IEC 60320-1<br>UL 60320-1, CSA C22.2 no. 60320-1<br>(for cold conditions) pin-temperature 70 °C, 2.5 A, Protection Class II |
|-------------------------|--|

**Approvals and Compliances**

Detailed information on product approvals, code requirements, usage instructions and detailed test conditions can be looked up in [Details about Approvals](#)

SCHURTER products are designed for use in industrial environments. They have approvals from independent testing bodies according to national and international standards. Products with specific characteristics and requirements such as required in the automotive sector according to IATF 16949, medical technology according to ISO 13485 or in the aerospace industry can be offered exclusively with customer-specific, individual agreements by SCHURTER.

**Approvals**

The approval mark is used by the testing authorities to certify compliance with the safety requirements placed on electronic products.

Approval Reference Type: 2578

| Approval Logo | Certificates                  | Certification Body | Description                      |
|---------------|-------------------------------|--------------------|----------------------------------|
|               | <a href="#">VDE Approvals</a> | VDE                | VDE Certificate Number: 40034368 |
|               | <a href="#">UL Approvals</a>  | UL                 | UL File Number: E96454           |


## Product standards

Product standards that are referenced

| Organization   | Design                | Standard              | Description   |
|--|-----------------------|-----------------------|---|
|  | Designed according to | IEC 60320-1           | Appliance couplers for household and similar general purposes         |
|  | Designed according to | UL 60320-1            | Standard for Attachment Plugs and Receptacles                         |
|  | Designed according to | CSA C22.2 no. 60320-1 | General Use Receptacles, Attachment Plugs, and Similar Wiring Devices |





## Application standards

Application standards where the product can be used

| Organization   | Design                         | Standard     | Description   |
|--|--------------------------------|--------------|---|
|  | Designed for applications acc. | IEC/UL 60950 | IEC 60950-1 includes the basic requirements for the safety of information technology equipment. |

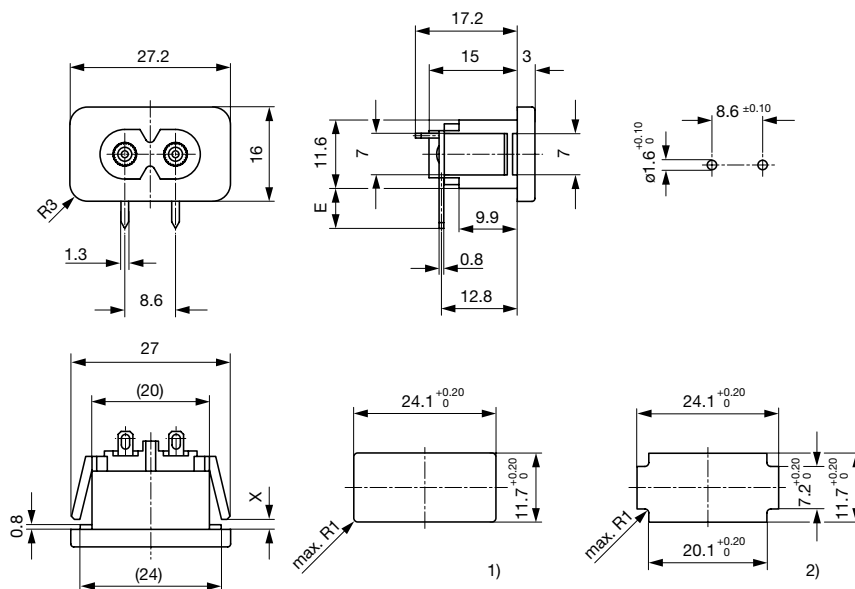
## Compliances

The product complies with following Guide Lines

| Identification  | Details                                      | Initiator   | Description   |
|---|--|-------------|---|
|   | <a href="#">CE declaration of conformity</a> | SCHURTER AG | The CE marking declares that the product complies with the applicable requirements laid down in the harmonisation of Community legislation on its affixing in accordance with EU Regulation 765/2008. |
|   | RoHS   | SCHURTER AG | Directive RoHS 2011/65/EU, Amendment (EU) 2015/836  |
|   | China RoHS                                   | SCHURTER AG | The law SJ / T 11363-2006 (China RoHS) has been in force since 1 March 2007. It is similar to the EU directive RoHS.  |
|  | REACH  | SCHURTER AG | On 1 June 2007, Regulation (EC) No 1907/2006 on the Registration, Evaluation, Authorization and Restriction of Chemicals 1 (abbreviated as "REACH") entered into force.                               |

## Dimensions [mm]

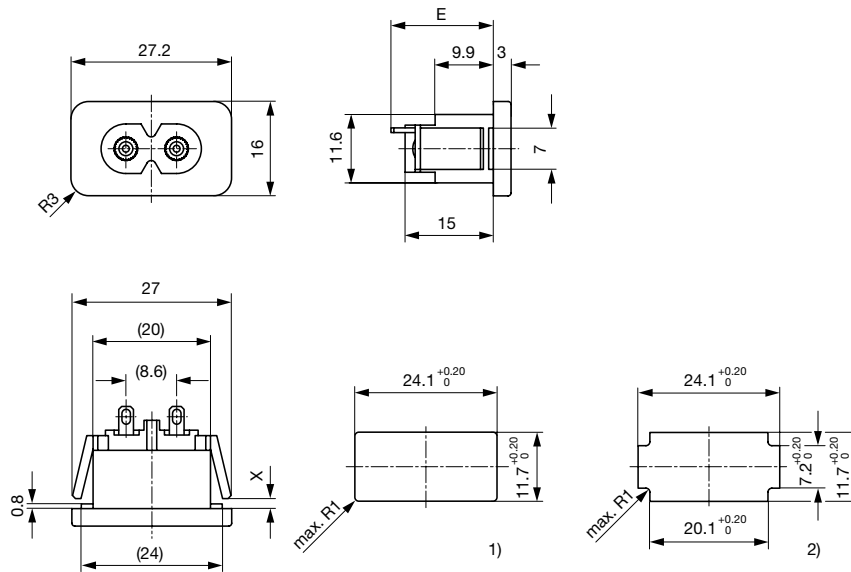
PCB terminal with additional solder terminal in orientation A (horizontal)



E = PCB terminal standard (additional solder): 6.8 mm  
 E = PCB terminal short (additional solder): 0.7 mm  
 E = PCB terminal long (additional solder): 15.8 mm  
 E = PCB terminal standard: 6.5 mm  
 E = PCB terminal short: 5.0 mm  
 E = PCB terminal long: 7.6 mm

1) Panel cut-out for panel thickness 1.5 / 2.0 / 2.5 / 3.0 mm  
 2) Panel cut-out for panel thickness 1.0 mm

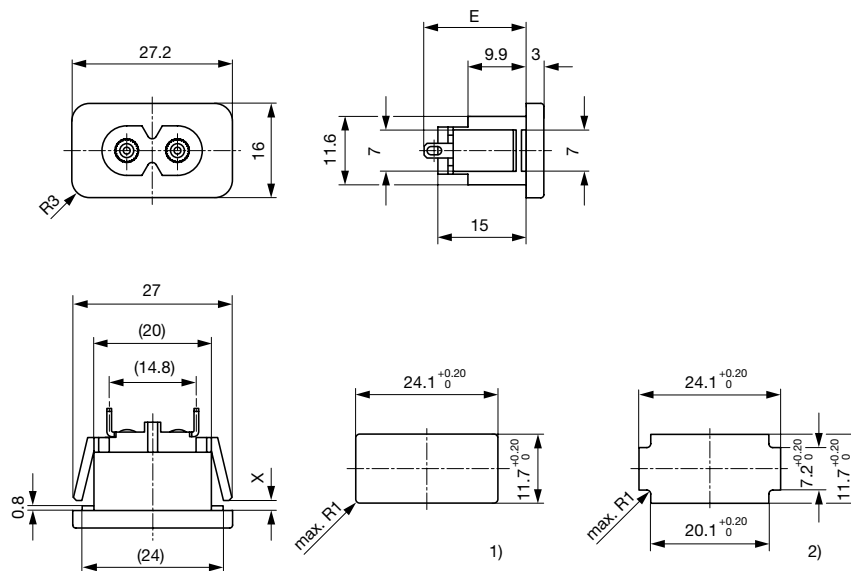
Quick connect or solder terminal in orientation A (horizontal)



- E = Solder terminal short: 17.3 mm
- E = Solder terminal long: 21.0 mm
- E = Quick-connect terminal 2.8x0.8 mm: 23.3 mm

- 1) Panel cut-out for panel thickness 1.5 / 2.0 / 2.5 / 3.0 mm
- 2) Panel cut-out for panel thickness 1.0 mm

Quick connect or solder terminal in orientation B (vertical)



- E = Solder terminal short: 17.3 mm
- E = Solder terminal long: 21.0 mm
- E = Quick-connect terminal 2.8x0.8 mm: 23.3 mm
- E = Quick-connect terminal 4.8x0.8 mm: 21.8 mm
- E = Quick-connect terminal 6.3x0.8 mm: 22.8 mm

- 1) Panel cut-out for panel thickness 1.5 / 2.0 / 2.5 / 3.0 mm
- 2) Panel cut-out for panel thickness 1.0 mm

## Config. Code


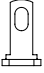









2578 - H - A B C 0 - D - E G F

The characters are placeholders for the correspondingly keys of selections from the key tables.

## 2578 - H - A B C 0 - D - E G F = Type

| Type                | Configuration key |
|---------------------|-------------------|
| protection class II | X                 |

## 2578 - H - A B C 0 - D - E G F = Terminals

| Terminal L   | Configuration key |
|--|-------------------|
| short solder terminal (L = 4.8 mm)                  | 2                 |
| long solder terminal (L = 8.5 mm)                   | 3                 |
| PCB-terminal standard (additional solder terminal)  | 4                 |
| PCB-terminal short (additional solder terminal)    | 5                 |
| PCB-terminal long (additional solder terminal)    | 6                 |
| Blade terminal (2.8 x 0.8 mm)                     | 7                 |
| Blade terminal (4.8 x 0.8 mm)                     | 8                 |
| Blade terminal (6.3 x 0.8 mm)                     | 9                 |
| PCB-terminal (standard)                           | A                 |
| PCB-terminal (short)                              | B                 |
| PCB-terminal (long)                               | C                 |

## 2578 - H - A B C 0 - D - E G F = Terminals

| Terminal N   | Configuration key |
|--|-------------------|
| short solder terminal (L = 4.8 mm)                 | 2                 |
| long solder terminal (L = 8.5 mm)                  | 3                 |
| PCB-terminal standard (additional solder terminal) | 4                 |
| PCB-terminal short (additional solder terminal)    | 5                 |

Symbols similar as in table A

| Terminal N                                     | Configuration key |
|--|-------------------|
| PCB-terminal long (additional solder terminal) | 6                 |
| Blade terminal (2.8 x 0.8 mm)                  | 7                 |
| Blade terminal (4.8 x 0.8 mm)                  | 8                 |
| Blade terminal (6.3 x 0.8 mm)                  | 9                 |
| PCB-terminal (standard)                        | A                 |
| PCB-terminal (short)                           | B                 |
| PCB-terminal (long)                            | C                 |

Symbols similar as in table A

## 2578 - H - A B C 0 - D - E G F = Terminals

| Terminal Ground  | Configuration key |
|------------------|-------------------|
| without terminal | 0                 |

Symbols similar as in table A

## 2578 - H - A B C 0 - D - E G F = Color

| Color | Configuration key |
|-------|-------------------|
| Black | A                 |
| Grey  | B                 |
| White | D                 |

## 2578 - H - A B C 0 - D - E G F = Style

| Style                       | Configuration key |
|-----------------------------|-------------------|
| snap-in (s=panel thickness) | 4                 |

## 2578 - H - A B C 0 - D - E G F = Dimension S

| Dimension "S" | Configuration key |
|---------------|-------------------|
| 15            |                   |
| 20            |                   |
| 25            |                   |
| 30            |                   |

The dimension "S" is displayed in (1/10 mm). This information is also valid for the order code

## 2578 - H - A B C 0 - D - E G F = Orientation of Terminals

| Orientation of Terminals | Configuration key |
|--------------------------|-------------------|
| horizontal               | A                 |
| vertical                 | B                 |

All Variants

| Terminals L / N                    | Orientation of Terminals | Color | Panel Thickness s [1/10 mm] | Config. Code       | Order Number |
|------------------------------------|--------------------------|-------|-----------------------------|--------------------|--------------|
| Blade terminal (2.8 x 0.8 mm)      | vertical                 | Black | 25                          | 2578-X-7700-A-425B | 6160.0027    |
| short solder terminal (L = 4.8 mm) | vertical                 | Black | 15                          | 2578-X-2200-A-415B | 6160.0029    |
| long solder terminal (L = 8.5 mm)  | vertical                 | Black | 20                          | 2578-X-3300-A-420B | 6160.0031    |
| Blade terminal (6.3 x 0.8 mm)      | vertical                 | Black | 15                          | 2578-X-9900-A-415B | 6160.0032    |
| short solder terminal (L = 4.8 mm) | vertical                 | Black | 25                          | 2578-X-2200-A-425B | 6160.0036    |
| Blade terminal (6.3 x 0.8 mm)      | vertical                 | Black | 20                          | 2578-X-9900-A-420B | 6160.0069    |
| short solder terminal (L = 4.8 mm) | vertical                 | Black | 20                          | 2578-X-2200-A-420B | 6160.0071    |
| Blade terminal (6.3 x 0.8 mm)      | vertical                 | Black | 25                          | 2578-X-9900-A-425B | 6160.0074    |
| Blade terminal (2.8 x 0.8 mm)      | vertical                 | Black | 15                          | 2578-X-7700-A-415B | 6163.0016    |
| short solder terminal (L = 4.8 mm) | vertical                 | Grey  | 25                          | 2578-X-2200-B-425B | 6163.0017    |

The listed variants should be available from stock. Other versions on request [www.schurter.com/contact](http://www.schurter.com/contact)

Availability for all products can be searched real-time: <https://www.schurter.com/en/Stock-Check/Stock-Check-SCHURTER>

Packaging unit 100 Pcs

Accessories

Description



Retainer  
 Retainer for power supply cord

Mating Outlets/Connectors

Category / Description

Power Cord Overview complete



Cord Sets 2.5 A, IEC Connector, Black, 2.0 m, H03VVH2-F 2x0,75mm<sup>2</sup>, Connector IEC C7, 001500 mm, H03VVH2-F2G0.75, black 6013.0474

Cord Sets 2.5 A, IEC Connector, Black, 4.0 m, H03VVH2-F 2x0,75mm<sup>2</sup>, Connector IEC C7, 001500 mm, H05VVH2-F2G0.75, black 6013.0478

[Power Cord further types to 2578](#)

Power Supply Cord Overview complete



Cord Sets 2.5 A, North America, Black, 2.0 m, SVT 2x18AWG, Connector IEC C7, 002500 mm, NISPT-2, black 6010.5274

Cord Sets 2.5 A, North America, Black, 4.0 m, SVT 2x18AWG, Connector IEC C7, 002500 mm, NISPT-2, black 6010.5278

[Power Supply Cord further types to 2578](#)