

## Power Cord with IEC Connector C17, Angled



C17



70 °C

**Description**

Power Supply Cord / Interconnection Cord, Protection class II, Pin temperature 70 °C, Cable

**Approvals**

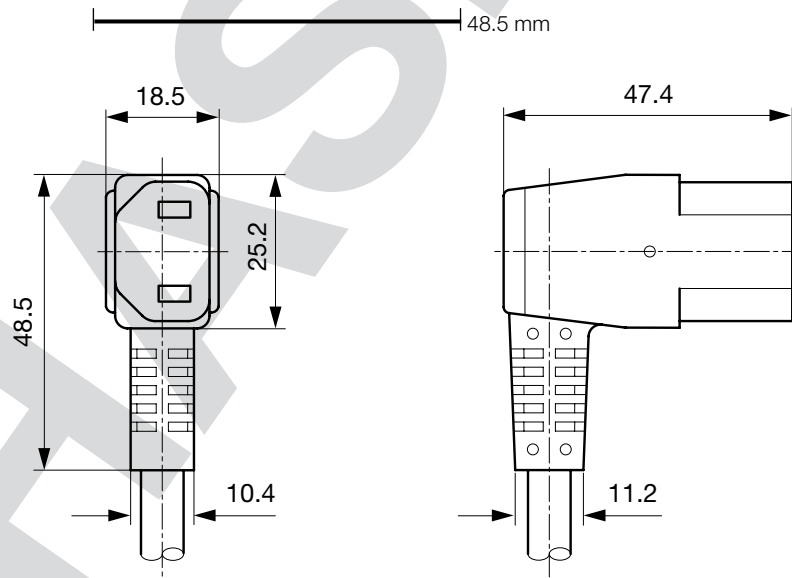
- UL File Number: E45116
- CSA File Number: 27325

**Weblinks**

[pdf](#), [html](#), [General Product Information](#), [Approvals](#), [RoHS](#), [CHINA-RoHS](#), [Mating Connectors](#), [e-Shop](#), [SCHURTER-Stock-Check](#), [Distributor-Stock-Check](#), [Accessories](#), [Detailed request for product](#)

**Technical Data**

Ratings IEC	10A / 250VAC; 50Hz	Connector	C17 acc. to IEC/EN 60320-1
Ratings UL/CSA	10A / 250VAC; 60Hz		UL 498, CSA C22.2 no. 42 (for cold conditions) pin-temperature 70 °C, 10A, Protection Class 2
Dielectric Strength	> 3 kVDC between L-N > 1.5 kVAC between L/N-PE (1 min/50Hz)		
Allowable Operation Temp.	-25 °C to 70 °C		
Degree of Protection	from front side IP 20 acc. to IEC 60529		
Protection Class	Suitable for appliances with protection class 2 acc. to IEC 61140		
Terminal	moulded		
Material: Housing	PVC, black or grey		

**Dimensions**

## Config. Code

Type - R - 3113 - D - Length

The characters are placeholders for the correspondingly keys of selections from the key tables. Typ is placed for the connector type on the second end, length is the cord length in mm.

Type - R - 3113 - D - Length = Cord end 2

### Cord end 2

zzzz, 2225, 2228, 2343, 4121, 607B, 608B, 609B

Type - R - 3113 - D - Length = cord type

### cord type

H03VV-F 2x0,75mm<sup>2</sup>

H05VV-F 2x0,75mm<sup>2</sup>

H05VV-F 2x1,0mm<sup>2</sup>

SVT 2x18AWG

### Configuration key

A

D

F

M

Cord definition is detailed in general product information XXX

Type - R - 3113 - D - Length = Color

### Color

Black

Grey

### Configuration key

A

B

Type - R - 3113 - D - Length = Cord length

### Cord length

zzzz, 000500, 001000, 001500, 002000, 002500, 003000, 005000

Cord length in mm

## Mating Inlets/Plugs

### Category / Description

#### Appliance Inlet Overview complete

IEC Appliance Inlet C18, Screw-on Mounting, Rear Side, PCB Terminal	1005
IEC Appliance Inlet C18, Snap-in Mounting, Solder, Quick-connect, Screw- or PCB Terminal	6015
IEC Appliance Inlet C18, Screw-on Mounting, Front Side, Solder or Quick-connect, PCB or Screw Terminal	6065
IEC Appliance Inlet C18, Screw-on Mounting, Front Side, Solder or Quick-connect, PCB or Screw Terminal	6066
IEC Appliance Inlet C18, Screw-on Mounting, Front or Rear Side, Solder or Quick-connect Terminal	6102-3

[Appliance Inlet further types to3113](#)

#### Interconnection Cord Overview complete

Interconnection Cord with IEC Plug G, Angled	607B
Interconnection Cord with IEC Plug G, Angled	608B
Interconnection Cord with IEC Plug G, Straight	609B

[Interconnection Cord further types to3113](#)

#### Power Entry Module Overview complete

IEC Appliance Inlet C18 with Fuseholder 1-pole	1065
IEC Appliance Inlet C18 with Fuseholder 1- or 2-pole	1066
IEC Appliance Inlet C18 with Fuseholder 1-pole	6202

[Power Entry Module further types to3113](#)

